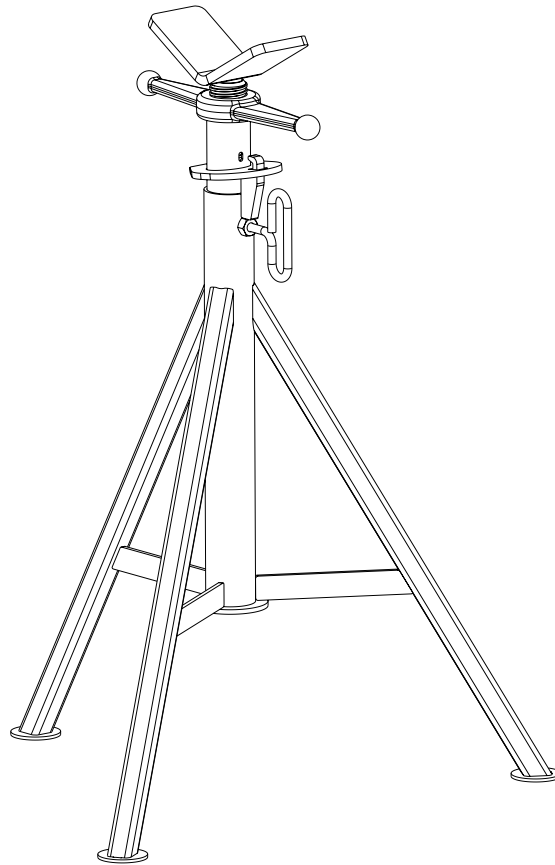


# JACKSON

## Model 436 V-Head Pipe Stand



## Operating, Safety and Parts Manual

02/16



**Read and understand this material before operating or servicing the V-Head Pipe Stand. Failure to understand how to safely operate and service this unit may result in property damage, serious injury or death.**

This manual is free of charge. All personnel who operate this Pipe Stand should have a copy of this manual and read and understand its contents. To obtain a copy, call, write to the address below, or visit our website.

**JACKSON TOOL • P. O. BOX 5701 • GREENVILLE, SC 29606**  
**877-522-8995 or 864-721-4235 • FAX 864-721-4236 • [www.jacksonstoolinc.com](http://www.jacksonstoolinc.com)**

## TABLE OF CONTENTS

|  |   |
|--|---|
| <i>Safety Alerts</i> .....             | 2 |
| <i>Safety Information</i> .....        | 3 |
| <i>Features</i> .....                  | 4 |
| <i>Specifications</i> .....            | 4 |
| <i>Operating Instructions</i> .....    | 5 |
| <i>Transporting Instructions</i> ..... | 5 |
| <i>Exploded View</i> .....             | 6 |
| <i>Parts List</i> .....                | 6 |

## SAFETY ALERTS



### Safety Alert Symbol

THIS SAFETY SYMBOL is used to call your attention to instructions that concern your personal safety. It means: ATTENTION! BE AWARE! THIS IS AN IMPORTANT SAFETY INSTRUCTION!

Read, understand and follow these safety instructions. Failure to follow these safety instructions may result in injury or death.



### DANGER

Immediate hazards which, if not avoided, WILL result in serious personal injury or death.



### WARNING

Hazards or unsafe practices which, if not avoided, COULD result in serious personal injury or death.



### CAUTION

Hazards or unsafe practices which, if not avoided, COULD result in minor personal injury or property damage.

## RETAIN SAFETY INFORMATION



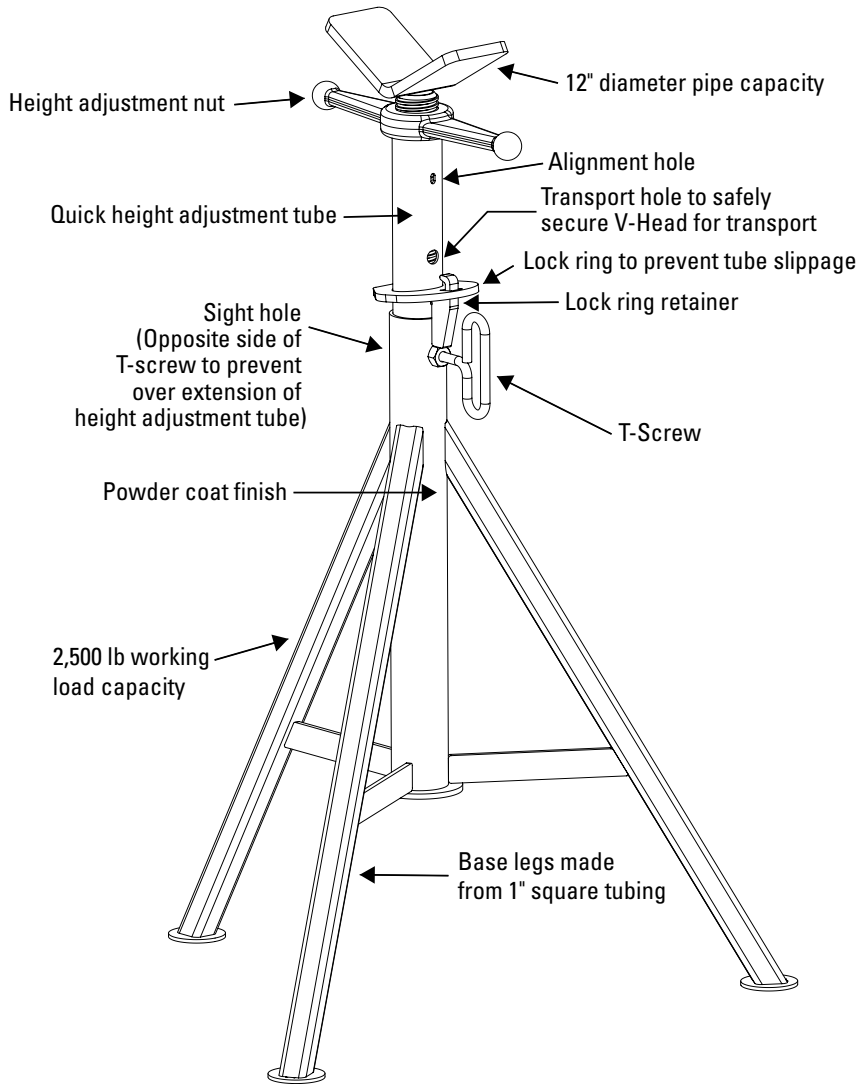
This manual should be read and understood by all personnel who operate or service this V-Head Pipe Stand. Failure to understand how to safely operate and service this unit could result in injury or death. This unit should only be operated or serviced by qualified personnel.

### IMPORTANT SAFETY INFORMATION

Follow ALL safety information provided by the manufacturer.

- ⚠ WARNING** ALWAYS place the V-Head Pipe Stand on a smooth, level, firm surface that will support the weight of the load. NEVER use on dirt or gravel surface. Be sure all feet of the V-Head Pipe Stand make contact with the floor.
- ⚠ WARNING** ALWAYS be sure the pipe is properly placed onto the V-Head Pipe Stand. Improperly loaded pipe can cause tipping of the V-Head Pipe Stand, falling pipe and serious injury.
- ⚠ WARNING** ALWAYS inspect the V-Head Pipe Stand before each use. Never use if any legs or other part of the V-Head Pipe Stand is bent, deformed, broken or has been modified.
- ⚠ WARNING** ALWAYS adjust the quick height adjustment tube prior to loading pipe onto the stand.
- ⚠ WARNING** NEVER exceed the maximum rated capacity of the V-Head Pipe Stand.
- ⚠ WARNING** NEVER alter the V-Head Pipe Stand. Only use for its designed purpose.
- ⚠ WARNING** NEVER drop pipe onto the V-Head Pipe Stand.
- ⚠ WARNING** NEVER allow anyone under the pipe while it is supported by the V-Head Pipe Stand.
- ⚠ WARNING** ALWAYS use a minimum of 2 Pipe Stands to support the pipe.
- ⚠ WARNING** NEVER load more than one pipe onto the V-Head Pipe Stand.
- ⚠ WARNING** ALWAYS tighten the T-screw prior to placing any load onto the stand. DO NOT release lock ring with a load on the stand.
- ⚠ WARNING** DO NOT exceed recommended working height of stand.
- ⚠ WARNING** NEVER raise the quick height adjustment tube past the sight hole located on the side opposite the T-screw.
- ⚠ WARNING** ALWAYS carry the V-Head Pipe Stand by both the V-Head assembly and the base. This will help prevent injury from an improperly secured V-Head assembly.
- ⚠ CAUTION** ALWAYS wear gloves and other safety equipment for your specific job when using the V-Head Pipe Stand.

# FEATURES



# SPECIFICATIONS

|                             |                                      |
|-----------------------------|--------------------------------------|
| <b>Model No.</b>            | 436                                  |
| <b>Pipe Size Capacity</b>   | 1/2" to 12"                          |
| <b>Max. Weight Capacity</b> | 2500 lbs. per Stand                  |
| <b>Overall Dimensions</b>   | L 24" W 20½" H 31" (fully retracted) |
| <b>Min. Stand Height</b>    | 29"                                  |
| <b>Max. Stand Height</b>    | 49"                                  |
| <b>Weight</b>               | 21 lbs.                              |

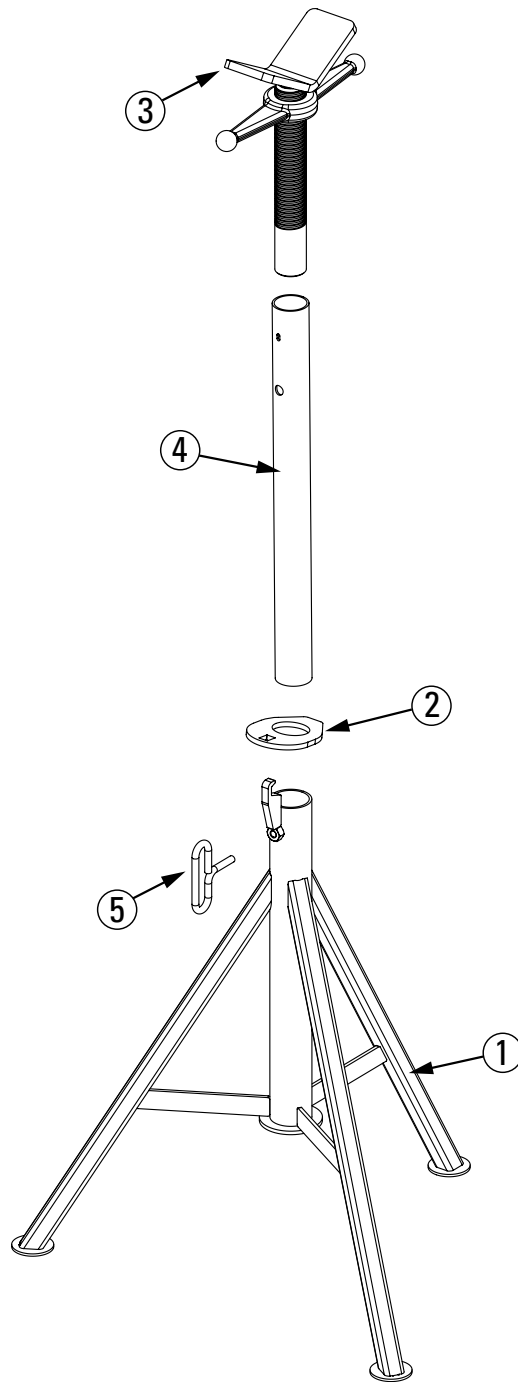
## OPERATING INSTRUCTIONS

1. Inspect the V-Head Pipe Stand before each use. NEVER use if any legs or other part of the stand is bent, deformed, broken or has been modified.
2. Place the V-Head Pipe Stand on a smooth, level, firm surface that will support the weight of the load. Be sure all feet of the stand make contact with the floor.
3. With no load on the V-Head Pipe Stand, loosen the T-screw. Grasp the quick height adjustment tube and lift to desired height. NOTE: DO NOT raise the quick height adjustment tube past the sight hole that is located directly opposite the T-screw. If you are not able to see the quick height adjustment tube in the sight hole, lower the quick height adjustment tube until it completely fills the sight hole. Release the quick height adjustment tube and ensure that the lock ring has engaged. This will prevent the quick height adjustment tube from lowering further.
4. Securely tighten the T-screw.
5. Hold the V-Head assembly stationary and turn the height adjustment nut to the desired position. NOTE: DO NOT force the height adjustment nut.
6. ALWAYS support the pipe with a minimum of two (2) V-Head Pipe Stands. Place stands to properly support the pipe. Pipe size, weight and length are some of the factors to consider when supporting pipe with the V-Head Pipe Stands.
7. Place the pipe onto the pipe stands. NEVER drop the pipe onto the pipe stands. NEVER exceed the maximum rated capacity of the pipe stands.  
To avoid tipping, make sure the V-Head Pipe Stands are properly aligned and that the pipe rests in the center of the V-Head. Never allow anyone under the pipe while it is supported by the stands.

## TRANSPORTING INSTRUCTIONS

1. DO NOT move the V-Head(s) until the pipe has been removed.
2. Hold the V-Head assembly stationary and turn the height adjustment nut to fully lower the V-Head.
3. Loosen the T-screw.
4. Securely grasp the quick height adjustment tube and lift up on the tabbed end of the lock ring. While continuing to lift the lock ring, COMPLETELY lower the quick height adjustment tube. NOTE: Place the alignment hole in line with the lock ring retainer.
5. With the quick height adjustment tube COMPLETELY lowered and the alignment hole on the quick height adjustment tube properly aligned, securely tighten the T-screw  
NOTE: When the quick height adjustment tube is properly lowered and aligned, the T-screw will tighten through the transport hole in the quick height adjustment tube and engage the V-Head assembly. Stand will then be ready for transport.

# EXPLODED VIEW — 436 V-HEAD



## PARTS LIST — 436 V-HEAD

| <u>ITEM#</u> | <u>PART#</u> | <u>QTY</u> | <u>DESCRIPTION</u>           |
|--------------|--------------|------------|------------------------------|
| 1            | 436-080      | 1          | Base                         |
| 2            | 436-088      | 1          | Lock Ring                    |
| 3            | 436-090      | 1          | V-head Assembly              |
| 4            | 436-092      | 1          | Quick height adjustment tube |
| 5            | 2508-581     | 1          | T-Screw                      |