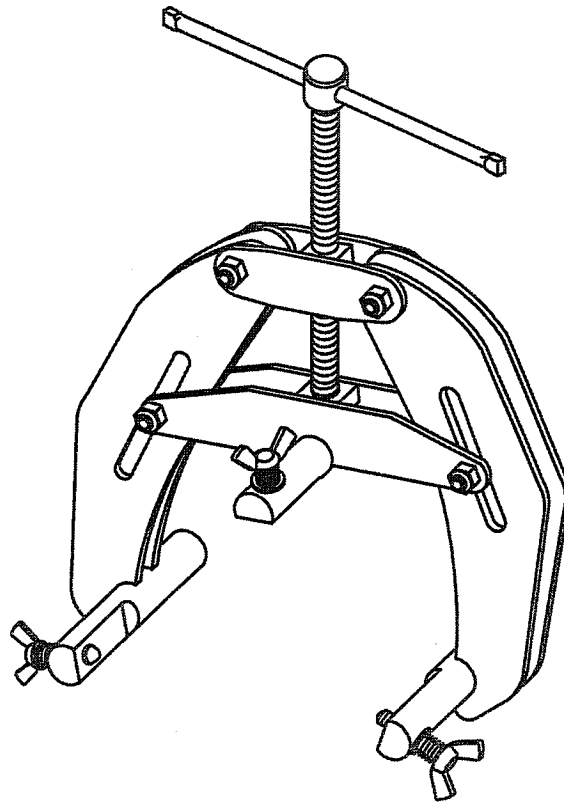


JACKSON

Tri-Clamp™ Pipe Alignment Tool Model 301 - 302 - 303



Assembly, Operating, Safety and Parts Manual

09/10 - REV. 0



Read and understand this material before operating or servicing the Tri-Clamp™. Failure to understand how to safely operate and service this unit may result in property damage, personal injury or death.

This manual is free of charge. All personnel who assemble or operate this equipment should have a copy of this manual and read and understand its contents. To request a copy, call or write to the address below.

JACKSON TOOL, INC. • P. O. BOX 5701 • GREENVILLE, SC 29606
877.522.8995 OR 864.244.2544 • FAX 864.244.2128
www.jacksonstoolinc.com

IMPORTANT SAFETY INFORMATION

Follow ALL safety information provided by the manufacturer.

▲WARNING NEVER use the Tri-Clamp™ for lifting.

▲WARNING ALWAYS keep feet and legs from underneath the work area should the fit-up fall.

OPERATION

- 1) Tighten Tri-Clamp™ onto end of pipe (see Figure 1). Tri-Clamp™ placement will vary if fit-up is for flange or fitting.
- 2) Next, place the second piece to be fitted into the Tri-Clamp™ and, using the two lower wing nut screws, adjust the height of the fit-up. The top wing nut screw is for holding the fitting or flange in place. (See Figures 2 and 3).

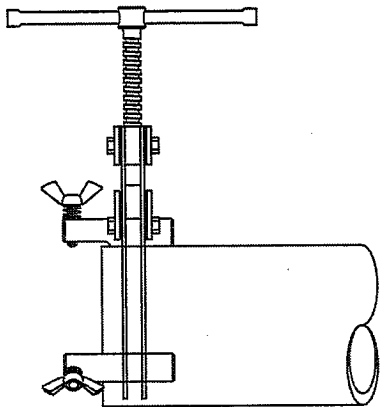


Figure 1

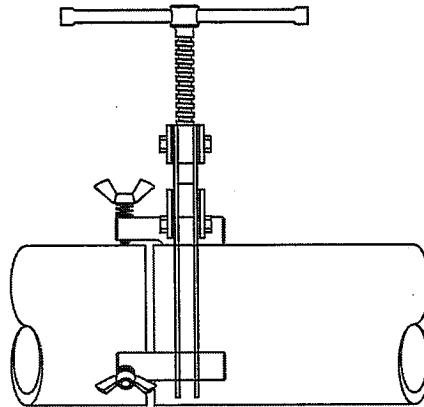


Figure 2

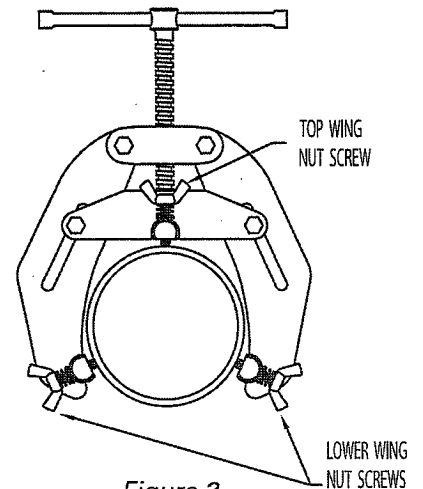


Figure 3

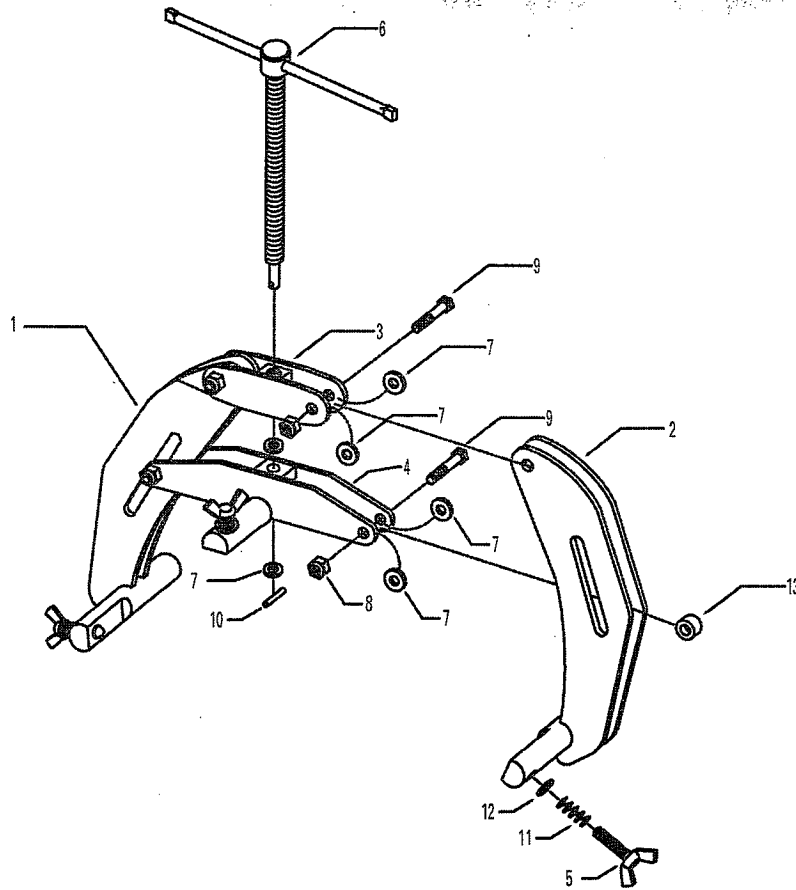
CAPACITY
For Pipe Size (OD)

Model 301
1" to 2½"

Model 302
2" to 6"

Model 303
5" to 12"

EXPLODED VIEW — 301/302/303 Tri-Clamp™



PARTS LIST — 301/302/303 Tri-Clamp™

ITEM	MODEL 301 PART#	MODEL 302 PART#	MODEL 303 PART#	QTY	DESCRIPTION
1	301-627	302-630	303-615	1	SIDE WELDMENT - LEFT
2	301-627A	302-630A	303-615A	1	SIDE WELDMENT - RIGHT
3	301-628	302-631	303-669	1	UPPER BRACKET
4	301-629	302-632	303-670	1	LOWER BRACKET
5	301-673			3	WING NUT SCREW - 5/16-18
5		302-674	302-674	3	WING NUT SCREW - 3/8-16
6	301-676	302-626	303-625	1	ACME SCREW ASSEMBLY
7	301-8			10	WASHER-BRASS - 5/16"
7		302-1	302-1	10	WASHER-BRASS - 3/8"
8	301-7			4	NUT - THIN NYLON INSERT - 1/4"-20
8		302-2	302-2	4	NUT - THIN NYLON INSERT - 3/8"-16
9	301-3			4	HEX HEAD CAP SCREW - 1/4"-20 x 1-1/2"
9		302-3	302-3	4	HEX HEAD CAP SCREW - 3/8"-16 x 1-3/4"
10	301-4			1	ROLL PIN - 1/8" DIA x 1/2" LENGTH
10		302-4	302-4	1	ROLL PIN - 3/16" DIA x 3/4" LENGTH
11	301-1			3	SPRING - S.S.
11		302-7	302-7	3	SPRING - S.S.
12	301-6			3	FLAT WASHER - 5/16" S.S.
12		302-6	302-6	3	FLAT WASHER - 3/8" S.S.
13		302-554	302-554	2	ROLLER
14	301-DECAL	302-DECAL	303-DECAL	1	DECAL SET (not shown)