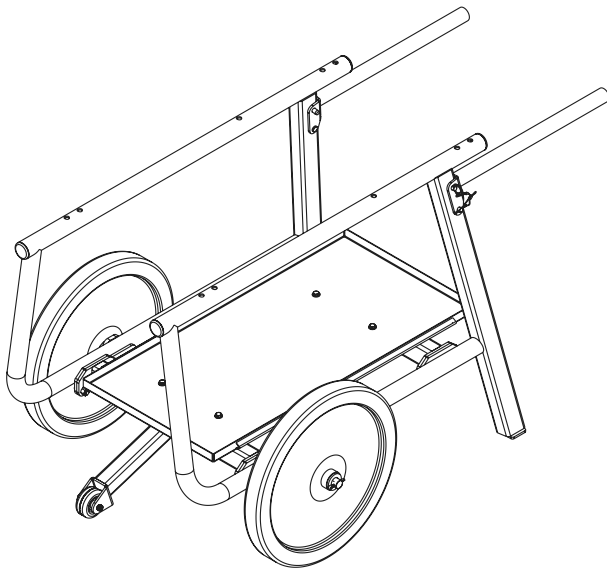


# JACKSON

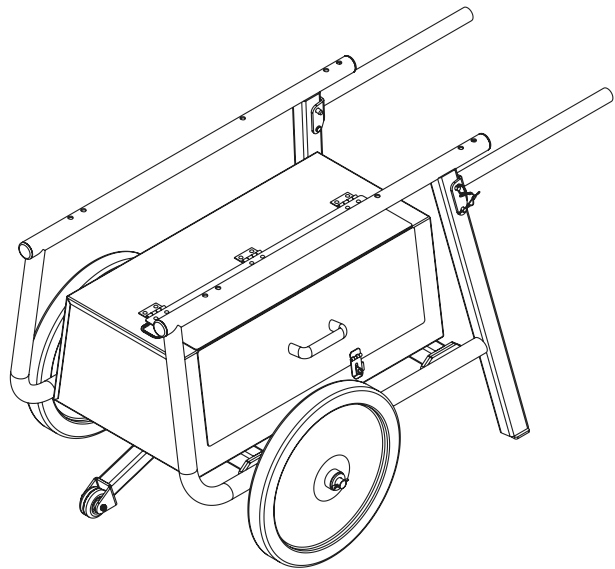
## Jackson Tool Threader Stands

Model 224W – Rolling Stand with tray

Model 235W – Rolling Stand with storage box



Model 224W



Model 235W

## Assembly, Safety and Operating Manual

5/22



**Read and understand this material before operating or servicing the Threader Stand. Failure to understand how to safely assemble and use this unit may result in property damage, serious injury or death.**

This manual is free of charge. All personnel who operate the Rolling Stand should have a copy of this manual and read and understand its contents. To request a copy, call or write to the address below. All information, specifications and product designs may change due to design improvements or updates and are subject to change without notice. Jackson Tool does not assume any liability for damages resulting from misuse or incorrect application of its products.

**JACKSON TOOL • P. O. BOX 5701 • GREENVILLE, SC 29606**  
877-522-8995 or 864-721-4235 • FAX 864-721-4236 • [www.jacksonstoolinc.com](http://www.jacksonstoolinc.com)

## TABLE OF CONTENTS

<b>Safety Alerts</b> .....	<b>2</b>
<b>Safety Information</b> .....	<b>3</b>
<b>Model Descriptions</b> .....	<b>3</b>
<b>Maintenance</b> .....	<b>3</b>
<b>Assembly Instructions</b> .....	<b>4</b>
<b>Threader Mounting Positions</b> .....	<b>5</b>
<b>Exploded View</b> .....	<b>6</b>
<b>Parts List</b> .....	<b>7</b>

## SAFETY ALERTS



### Safety Alert Symbol

THIS SAFETY SYMBOL is used to call your attention to instructions that concern your personal safety. It means: ATTENTION! BE AWARE! THIS IS AN IMPORTANT SAFETY INSTRUCTION!

Read, understand and follow these safety instructions. Failure to follow these safety instructions may result in injury or death.



### **DANGER**

Immediate hazards which, if not avoided, WILL result in serious personal injury or death.



### **WARNING**

Hazards or unsafe practices which, if not avoided, COULD result in serious personal injury or death.



### **CAUTION**

Hazards or unsafe practices which, if not avoided, COULD result in minor personal injury or property damage.

## RETAIN SAFETY INFORMATION



This manual should be read and understood by all personnel who operate or service this Threader Stand. Failure to understand how to safely assemble and use this unit could result in injury or death. This unit should only be operated or serviced by qualified personnel.

## IMPORTANT SAFETY INFORMATION

Follow ALL safety information provided by the manufacturer.

- ⚠ WARNING** ALWAYS roll the threader stand on a smooth, level, firm surface. Tipping of the threader stand may occur if rolled over unlevel surfaces.
- ⚠ WARNING** ALWAYS operate the threader stand on a level surface.
- ⚠ WARNING** Threaders MUST be mounted to a stable, properly assembled stand before operating or transporting. Follow all assembly instructions provided.
- ⚠ WARNING** Threader MUST be properly balanced on the stand. ALWAYS check to ensure the threader you mount to the stand is mounted to the correct holes in the stand. See page 5 for threader mounting positions.

## MODEL DESCRIPTIONS

**JACKSON**

<b>Model No.</b>	<b>Description</b>	<b>Will fit RIGID®* Model #</b>
224W	Rolling Stand with tray	535 – 2001 and newer 1224
235W	Rolling Stand with storage box	535 – 2001 and newer 1224

\*RIGID® is a registered trademark of Emerson Electric, Inc.

## MAINTENANCE

Grease the wheel bearings with a good gauge of M.P. grease as needed.

# ASSEMBLY INSTRUCTIONS

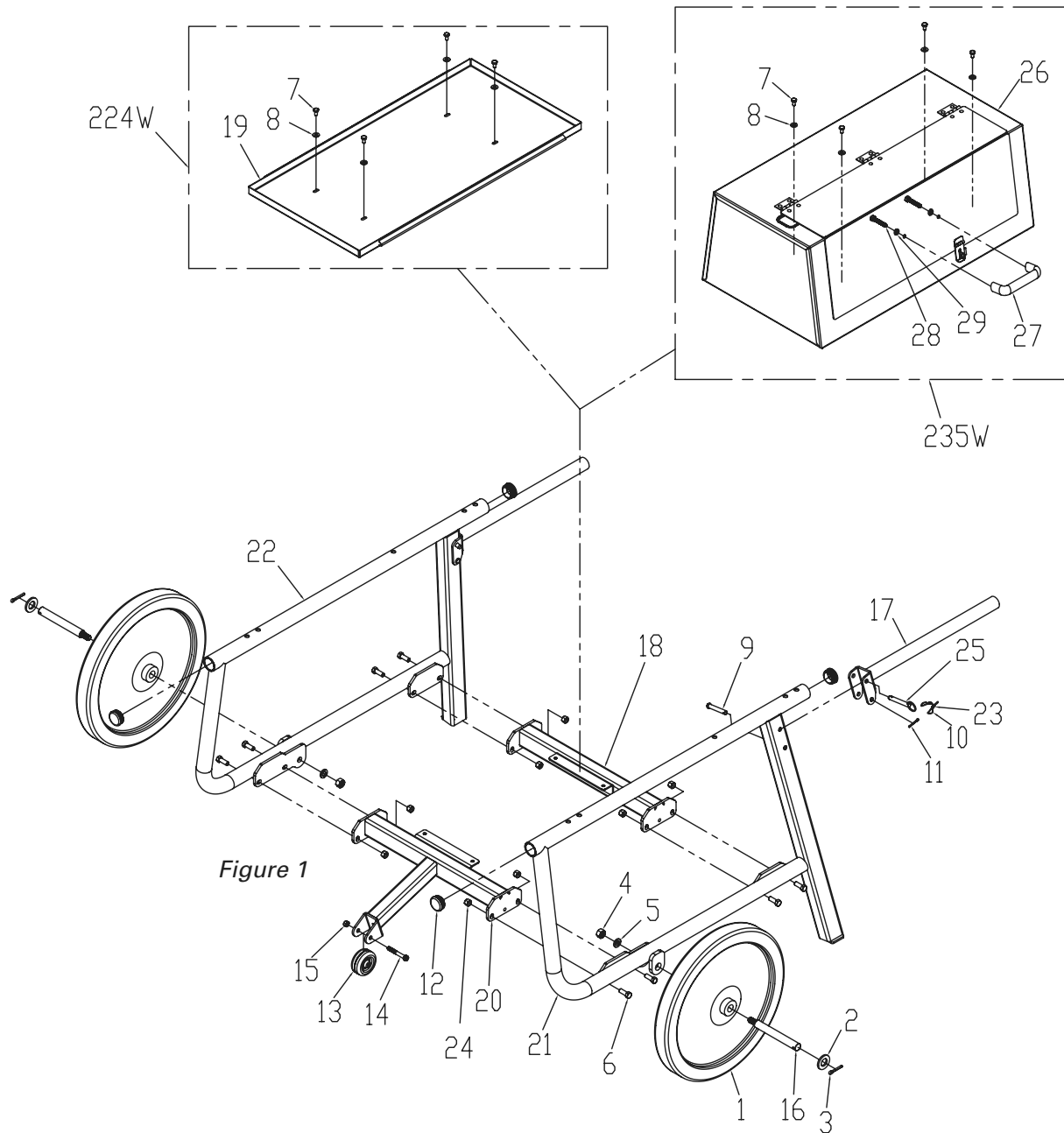
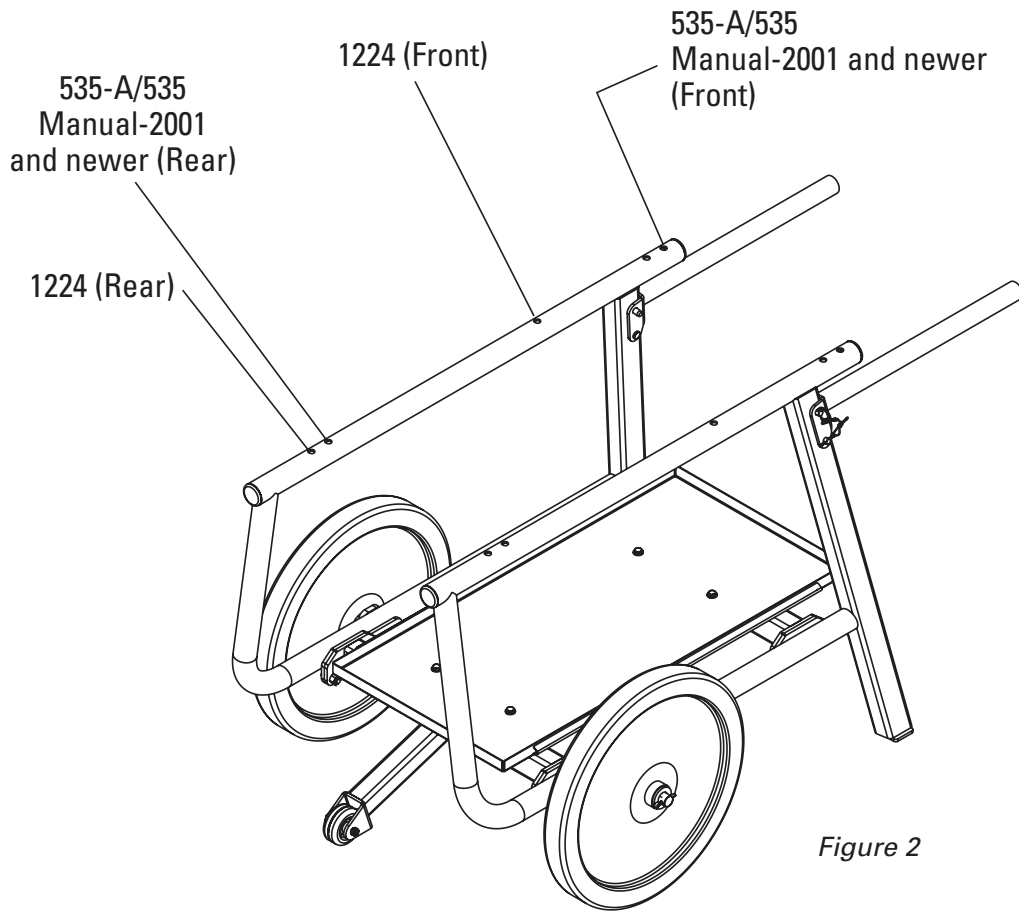


Figure 1

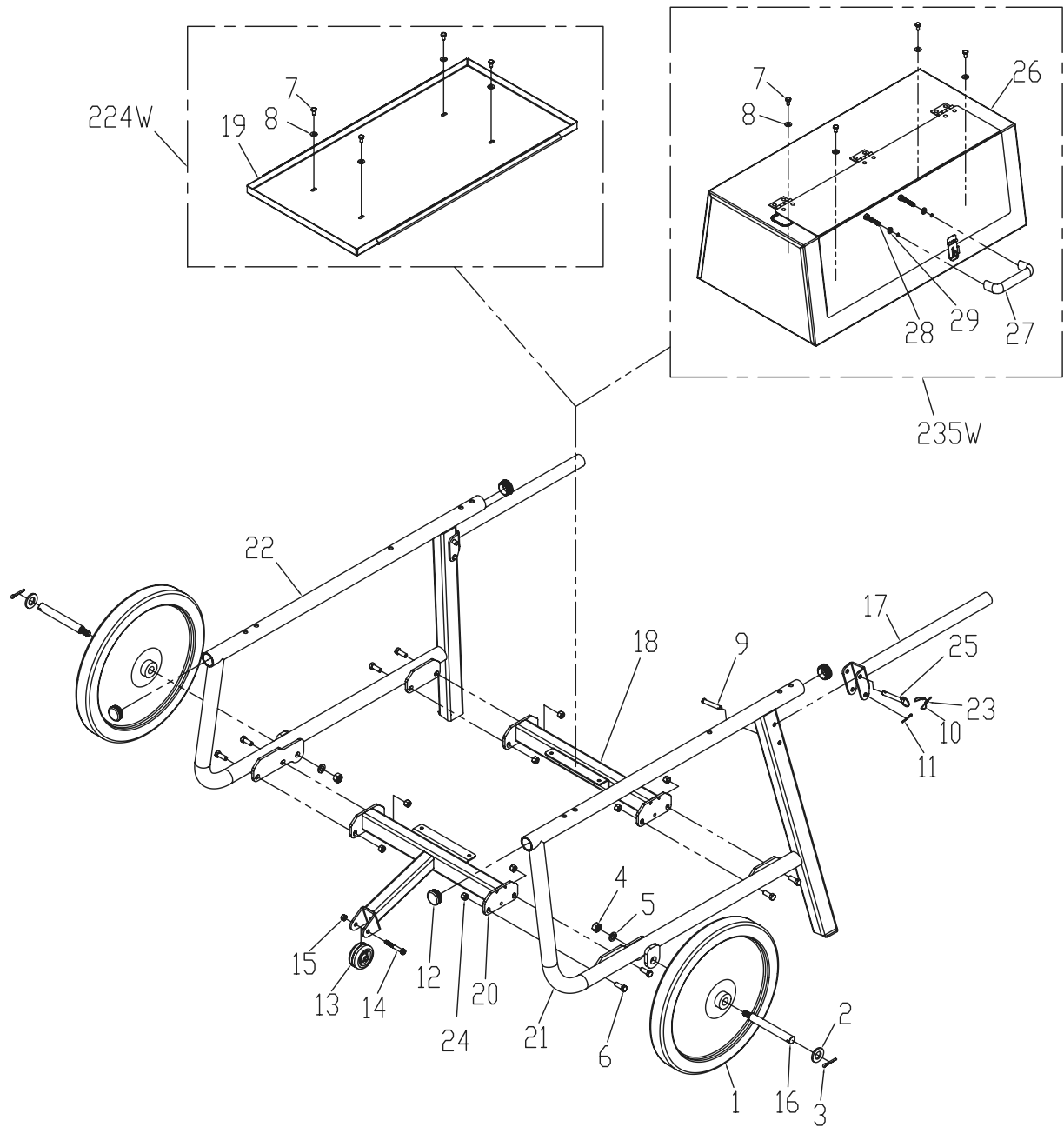
1. Attach front and rear cross members (18,20) to side frames (21,22) with 3/8" - 16 x 1" hex head cap screws and 3/8" - 16 hex nuts (6,24) as shown in Figure 1. Be sure crossmembers are assembled as shown in Figure 1.
2. Install 2 - axles (16) and secure with 1/2-13 hex nuts and 1/2" lock washer (4,5). Place wheels onto axles, place 1 washer (2) on each axle (16) and secure with cotter pins (8).
3. Depending on the unit you have ordered, mount either the tray (19) or the storage box (26) with the 1/4 - 20 x 1/2" slotted round head machine screws and 1/4" flat washers (7,8). Attach the handle of the storage box (27) with M8 x 12 hex head screws and M8 lock washers (28,29).

# THREADER MOUNTING POSITIONS



NOTE: Front of 535/1224 is oil reservoir end of unit.

# EXPLODED VIEW – THREADER STANDS



# PARTS LIST

ITEM #	PART #	DESCRIPTION	QTY.
1	224-6	WHEEL — 16"	2
2	224-7	WASHER — FLAT 3/4" (SAE)	2
3	224-8	PIN — COTTER 3/16" X 1-1/4"	2
4	224-9	NUT — HEX (1/2"-13)	2
5	224-10	WASHER — LOCK 1/2" ZINC	2
6	224-11	3/8-16 X 1.0" HEX HEAD SCREW	8
7	224-14	SCREW — HEX HEAD CAP (1/4-20 X 1/2")	4
8	224-14I	WASHER — FLAT USS 1/4" ZINC	4
9	224-21	PIN — CLEVIS (3/8" X 2.250")	2
10	224-23A	CABLE — STRANDED 1/16" X 6"	2
11	224-24	PIN — COTTER (1/8" X 1")	2
12	224-25	PLUG — CAP 1.5"	4
13	224-26	ROLLER — RUBBER (2.5 DIA)	1
14	224-27	SCREW — SOC HEAD CAP (5/16-18 X 2.25")	1
15	224-28	NUT — HEX (5/16-18) NYLON INSERT	1
16	224-367	AXLE-224	2
17	224-407	HANDLE	2
18	224-415W	CROSSMEMBER — WIDE	1
19	224-416	PAN-224	1
20	224-417W	CROSSMEMBER — WIDE, (W/WHEEL BKT)	1
21	224-447LH	FRAME — SIDE (LH)	1
22	224-447RH	FRAME — SIDE (RH)	1
23	670-6	FERRULE — DOUBLE	4
24	2508-8	NUT — HEX (3/18-16) NYLON INSERT	8
25	9548-7	PIN — QUICK RELEASE 3/8 X 2-1/4"	2
26	2508-8	BOX	1
27	450-11	HANDLE	1
28	235-18	SCREW — HEX HEAD CAP (M8 X 2")	2
29	235-19	WASHER — LOCK M8	2