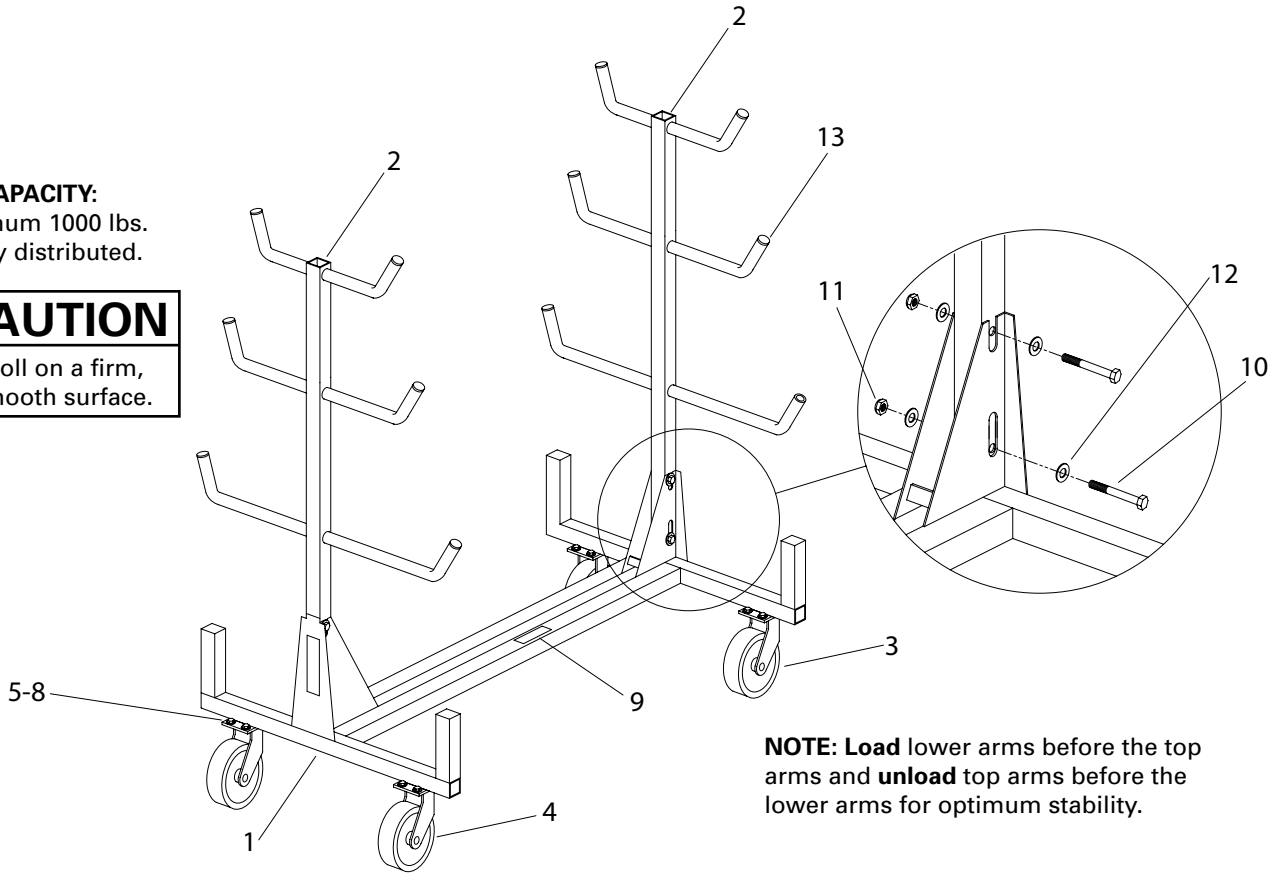


JACKSON

Model 5050 Conduit Rack

CAPACITY:
Maximum 1000 lbs.
Evenly distributed.

CAUTION
Only roll on a firm,
flat, smooth surface.



NOTE: Load lower arms before the top arms and **unload** top arms before the lower arms for optimum stability.

INSTRUCTION SHEET AND PARTS LIST

PARTS LIST — 505 CONDUIT RACK

ITEM#	PART#	QTY	DESCRIPTION
1	5050-245	1	BASE
2	5050-246	2	ARM
3	5633WC-047	2	CASTER, RIGID
4	5633WC-046	2	CASTER, SWIVEL
5	5633WC-042	16	SCREW, HEX HEAD CAP 3/8-16 x 1-1/4"
6	5633WC-041	16	WASHER, FLAT
7	5633WC-040	16	NET, HEX, 3/8-16

ITEM#	PART#	QTY	DESCRIPTION
8	536-5	16	WASHER, LOCK
9	5050-1	1	DECAL
10	5050-3	4	SCREW, HEX HEAD CAP 1/2-13 x 3"
11	5050-4	4	NUT, HEX 1/2-13 THIN NYLON INSERT
12	5050-2	8	WASHER, FLAT
13	5050-5	12	PLUG, PLASTIC

Read and understand this material before operating the Conduit Rack. Failure to understand how to safely operate this Conduit Rack may result in injury or property damage.

This manual is free of charge. All personnel who operate the Conduit Rack should have a copy of this manual and read and understand its contents. To request a copy, call or write to the address below.

JACKSON TOOL • P. O. BOX 5701 • GREENVILLE, SC 29606
877-522-8995 or 864-721-4235 • FAX 864-721-4236 • www.jacksonstoolinc.com